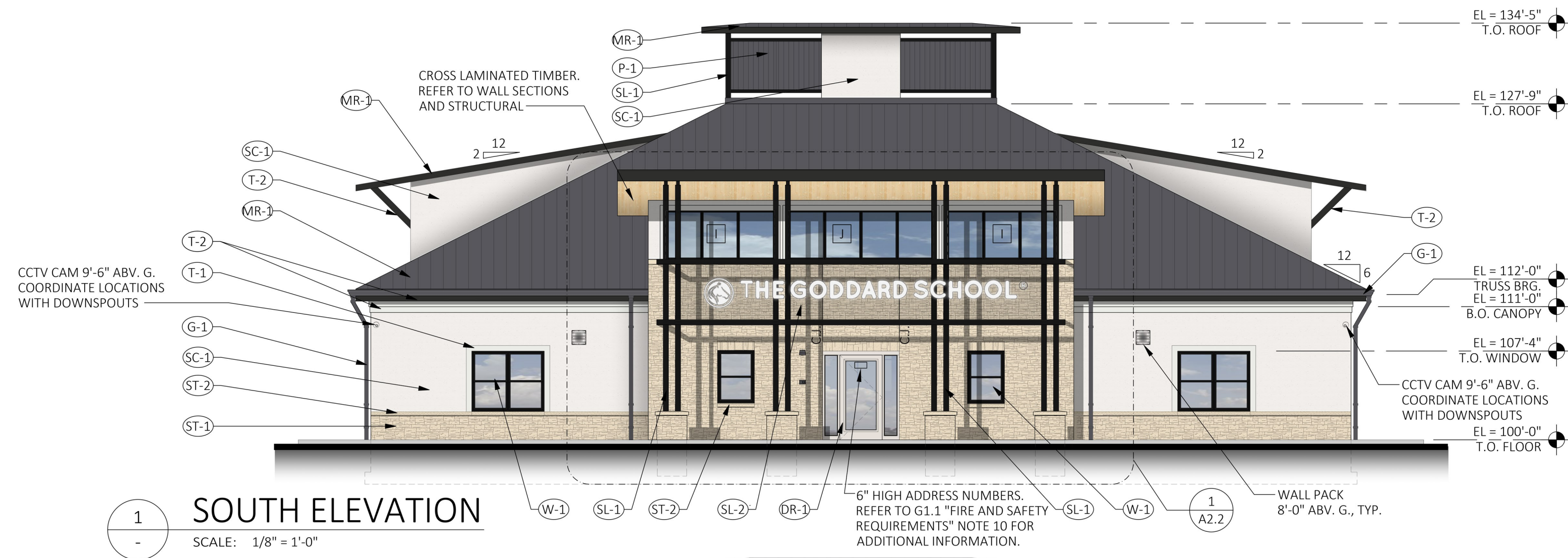
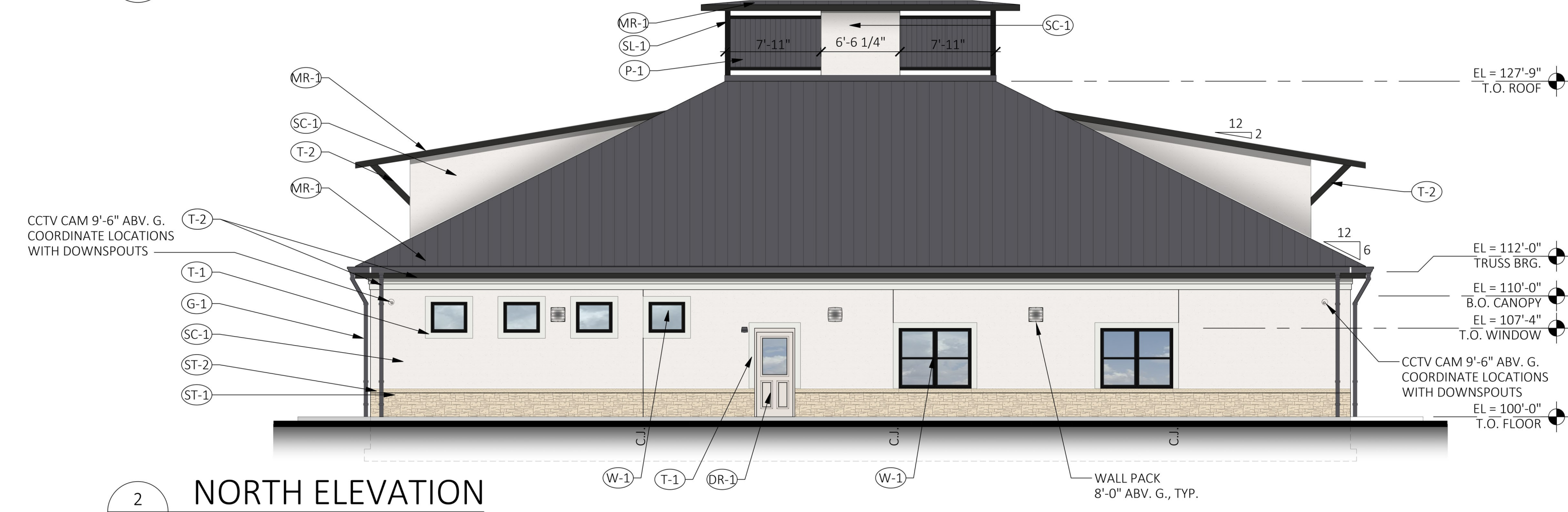


EXTERIOR FINISH LEGEND

MARK	DESCRIPTION	SPECIFICATION
DR-1	DOOR	REFER TO SPECIFICATION COLOR: TO MATCH SC-1
G-1	GUTTERS & DOWNSPOUTS	PRE-FINISHED. COLOR: GRAPHITE
MR-1	STANDING SEAM METAL ROOF	PAC-CLAD SNAP-CLAD SYSTEM. COLOR: GRAPHITE
P-1	METAL WALL PANEL	PAC-CLAD HWP METAL WALL PANEL COLOR: GRAPHITE
SC-1	STUCCO	STO POWERWALL DRAINSREEN. COLOR: BENJAMIN MOORE "SEA FROTH" 2107-60
SL-1	STRUCTURAL STEEL	COLOR: MATTE BLACK
SL-2	PRE-FINISHED FLAT TOP WOVEN WIRE MESH - 1 1/2" OPENING	COLOR: MATTE BLACK
ST-1	STONE WAINSCOT	CORONADO FREEDOM BUILDING STONE. COLOR: TEXAS CREAM
ST-2	STONE CAP	CORONADO CHISELED STONE SILL. COLOR: CREAM
T-1	TRIM AT DOOR AND WINDOW	HARDIE TRIM BOARDS 5/4 SMOOTH. COLOR: ARCTIC WHITE
T-2	TRIM AT FASCIA AND MISC.	HARDIE TRIM BOARDS 5/4 SMOOTH. COLOR: IRON GRAY
W-1	WINDOW	REFER TO SPECIFICATION COLOR: BLACK



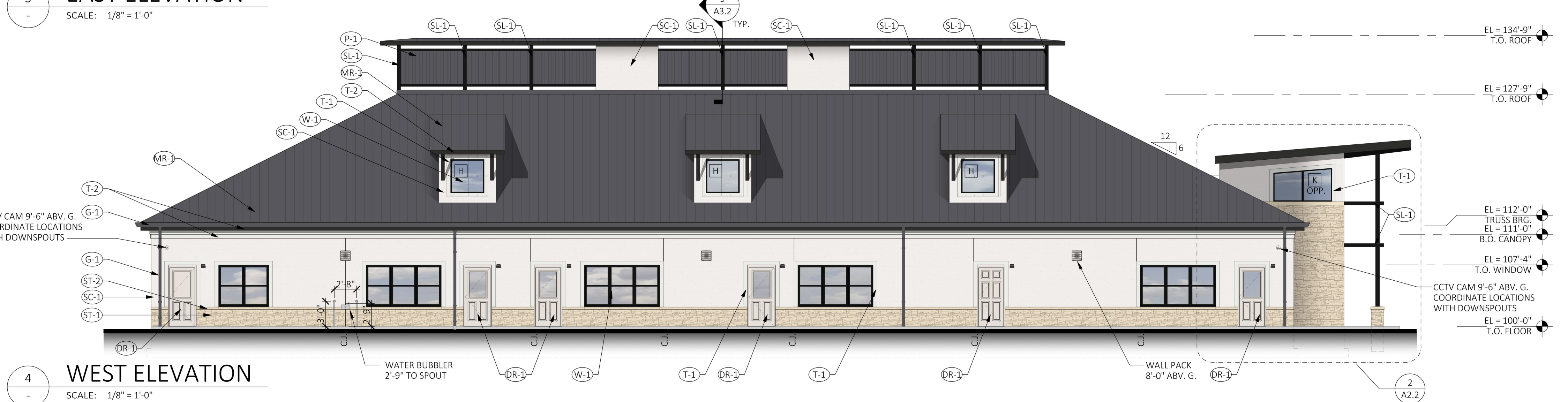
1 SOUTH ELEVATION
SCALE: 1/8" = 1'-0"



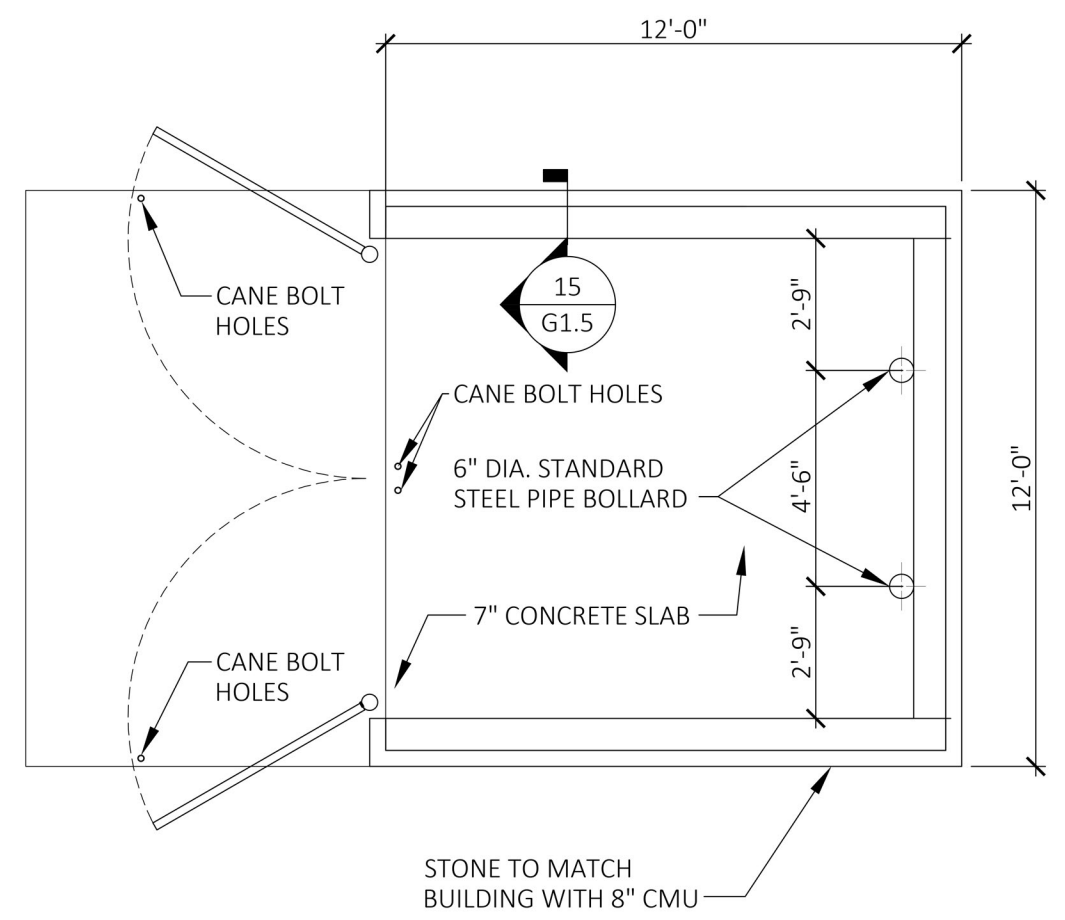
2 NORTH ELEVATION
SCALE: 1/8" = 1'-0"



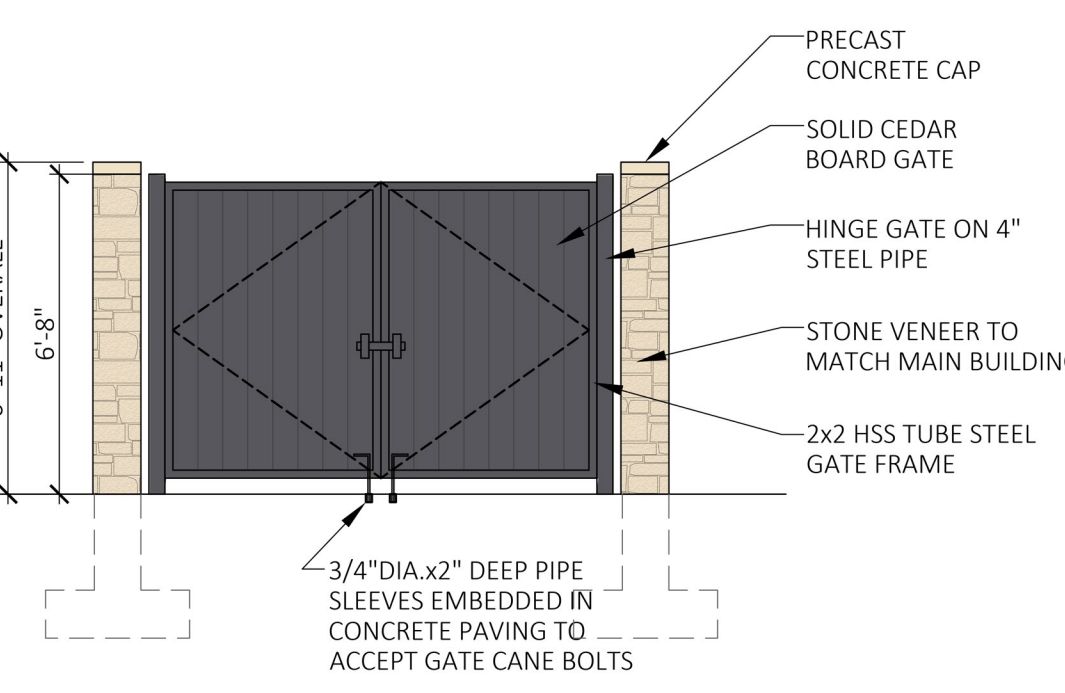
3 EAST ELEVATION
SCALE: 1/8" = 1'-0"



4 WEST ELEVATION
SCALE: 1/8" = 1'-0"



5 DUMPSTER ENCLOSURE PLAN
SCALE: 1/4" = 1'-0"



6 DUMPSTER ENCLOSURE ELEVATION
SCALE: 1/4" = 1'-0"



THE GODDARD SCHOOLS
FOR EARLY CHILDHOOD DEVELOPMENT
870 VETERANS DRIVE
KYLE, TX 78640

CONSTR. DOC. & REVISIONS

No.	Description	Date

Drawn By/Checked By: MS/KWH
Project Number 2303096
Owner Date 09-11-23
Permit Date 10-04-23

COLOR EXTERIOR ELEVATIONS